


4				3		2		1	
Parts List				DESCRIPTION					
ITEM	QTY	PART NUMBER	DESCRIPTION						
1	1	311003	AIREND, SCI8D5						
2	1	5027	BUSHING, TAPER-LOCK #1108 25MM						
3	1	5029	PULLEY, 2.8 2GR 3V TAPER-LOCK						
4	1	303113	WASHER, SCA8 PULLY						
5	1	938808-200	WASHER, LOC 8MM						
6	1	928008-250	BOLT, HEX 8MM X 25MM GR8.8						
7	1	310850	STEM, OIL/THERM MANIFOLD						
8	1	5012	ASSY, MORSE T4F OIL FILTER						
9	1	5013	ASSY, MORSE T4F COALESCER						
10	1	40070	ASSY, STEM COALESCER M27 x 1"						
11	1	970608-050	ELBOW, HYD 1/2 MBSPP X 1/2 MJIC						
12	1	970708-050	CONNECTOR, 1/2 MJIC X 1/2 MBSPP						
13	1	970802-012	ADAPTER, 1/8 MBSPP X 1/8 FNPT						
14	1	987304-012	ELBOW, 1/4 PTC X 1/8 MNPT 250 PSI 200 DEG						
15	1	5033	VALVE, REGULATOR 1/4						
16	2	960404-025	NIPPLE, HYD HEX 1/4						
17	1	987304-025	ELBOW, 1/4 PTC X 1/4 MNPT 250 PSI 200 DEG						
18	1	5034	VALVE, BLOWDOWN 1/4 NC						
19	1	988808-025	TEE, 1/4 PTC X 1/4 PTC X 1/4 MNPT						
20	2	974700-012	PLUG, 1/8 BSPP						
21	1	907603-020	BUSHING, RED 3/4 X 1/2 GAL						
22	1	960408-050	NIPPLE, HYD HEX 1/2						
23	1	5025	VALVE, SERVICE 1/2 VENTED PORT						
24	1	970802-025	ADAPTER, 1/8 MBSPP X 1/4 FNPT						
25	1	5039	GAUGE, PRESS - 1/4"NPT 0-200 PSI						
26	1	5026	VALVE, MINI BALL 1/2 NPT						
27	1	902915-020	PLUG, PIPE 1/2 RECESSED ZINC						
28	1	993504-047	PLUG, PIPE 1/4 WITH ORIFICE 3/64						
29	1	970812-075	ADAPTER, 3/4 MBSPP X 3/4 FNPT						
30	1	301594	DECAL, TEMP. COMPR. - 250 F						
31	1	308525	SEAL, WASHER 1/2 MBSPP						
32	1	993808-050	ADAPTER, 1/2 MBSPP X 1/2 MNPT						
33	2	960704-025	ELBOW, HYD 1/4 FNPT X MNPT STREET						
34	1	996208-050	ELBOW, 1/2 MJIC X 1/2 FJIC						
35	1	5014	FILTER, AIR INTAKE 52MM						
NS	2 ft	5035	TUBE, PARAFLEX 1/4 OD X .040 WALL X FT NYLON NATURAL						
NS	1	307452	HOSE ASSY, 1/2 X 112 40KW T3						
NS	1	307453	HOSE ASSY, 1/2 X 89 40KW T3						
NS	1	5011	LUBRICANT, MORSE SCO 1000 5L						
NS	1	5015	BELT, DOUBLE BANDED 3VX500						
NS	3	306952	BOARD, 1 X 6 X 20 PINE						
NS	1	301617	SKID, SHIPPING 29 X 35 1/2						
NS	1	301615	BOX, SHIPPING 34 1/2 X 20 1/2 X 26						

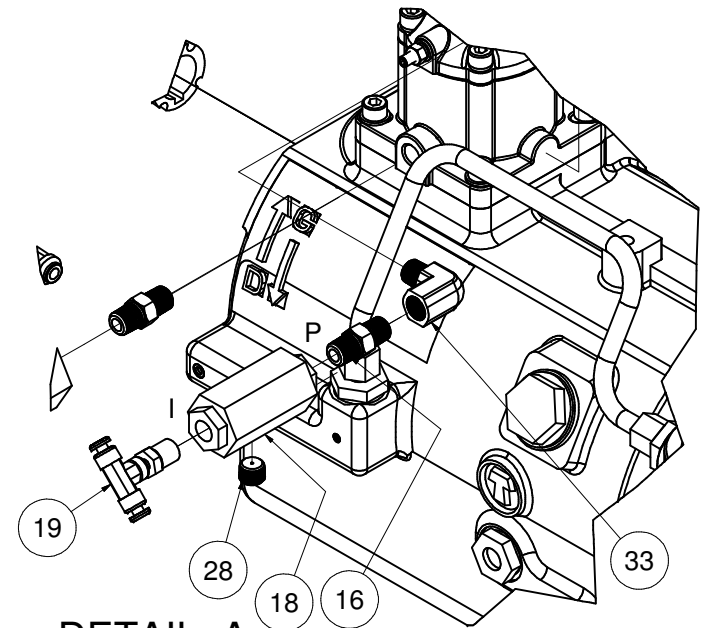
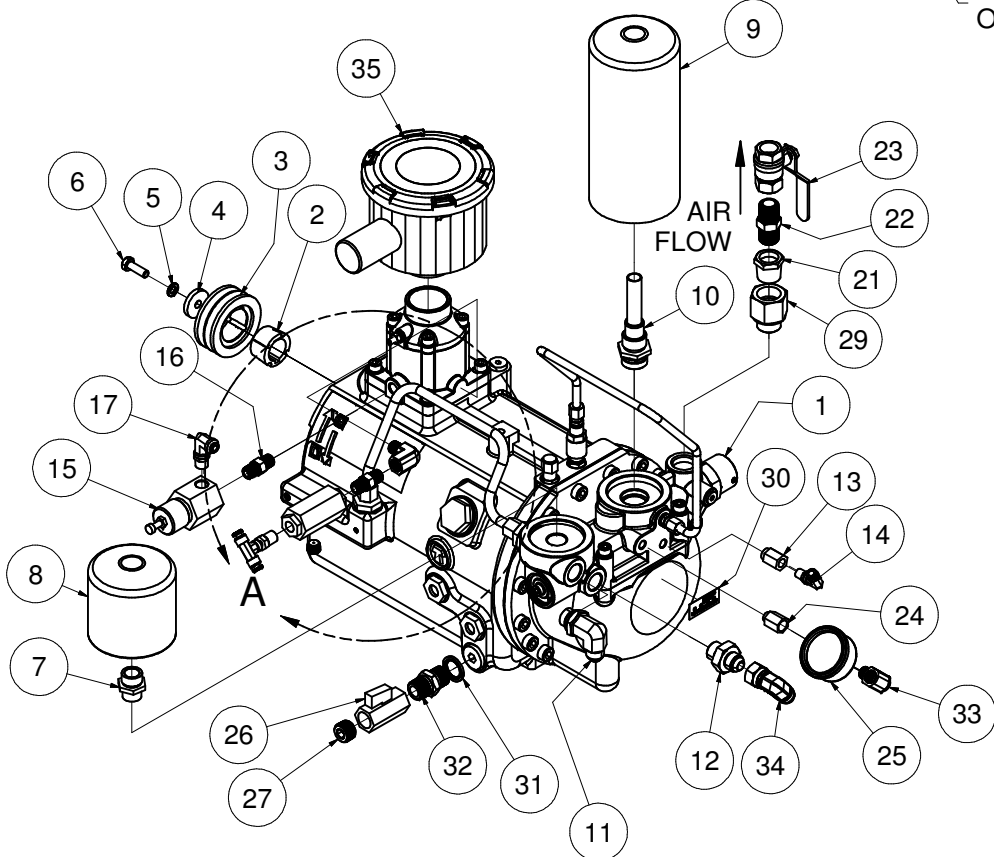
PROPRIETARY INFORMATION THIS DRAWING AND ALL ITS CONTENTS ARE PROPERTY OF MORSE INDUSTRIAL AND MUST NOT BE COPIED OR MADE PUBLIC. IT IS LOANED AND IS SUBJECT TO RETURN UPON DEMAND. THE INFORMATION CONTAINED IN THIS DRAWING IS CONFIDENTIAL AND MUST NOT BE USED, DIRECTLY OR INDIRECTLY, IN ANY WAY DETRIMENTAL TO THE INTEREST OF MORSE INDUSTRIAL.	MACHINED SURFACES DECIMAL DIM: 0.000 TO 1.000 ± .010 1.001 TO 5.000 ± .015 5.001 TO 10.000 ± .020 10.001 & OVER ± .025	UNMACHINED SURFACES FRACTIONAL ± 1/16 DECIMAL ± .03 ANGULAR ± 1° DO NOT SCALE TOLERANCES UNLESS NOTED.	 Antigonish Nova Scotia Phone: 647-393-1212 Fax: 902-867-6211	
	DRAWN: CRH CHECKED: [] DATE: 2/21/2018			DESCRIPTION KIT, REPLACEMENT T3 40KW SCI8D5
	MATERIAL: N/A PATH: G:\Engineering Documents\Inventor Files\80k\80465.dwg	SIZE: C SCALE: N/A DWG NO: 80465	REV: 0	SHEET 1 OF 2

301960-025
3" LONG

301960-025
18" LONG

OIL OUT TO
BOTTOM OF COOLER
OIL IN FROM TOP
OF COOLER

NOTE:
REMOVE THE 14GA. RED AND 14GA. BLACK
WIRES FOR THE N.O. REGULATED AIR SOLENOID.
THESE WIRES ARE NO LONGER NEEDED. FOLD
BACK WIRES INTO HARNESS. TAP EACH WIRE
ENDS TO PREVENT TOUCHING EACH OTHER.



DETAIL A
SCALE 1 / 2

PROPRIETARY INFORMATION THIS DRAWING AND ALL ITS CONTENTS ARE PROPERTY OF MORSE INDUSTRIAL AND MUST NOT BE COPIED OR MADE PUBLIC. IT IS LOANED AND IS SUBJECT TO RETURN UPON DEMAND. THE INFORMATION CONTAINED IN THIS DRAWING IS CONFIDENTIAL AND MUST NOT BE USED, DIRECTLY OR INDIRECTLY, IN ANY WAY DETRIMENTAL TO THE INTEREST OF MORSE INDUSTRIAL.	MACHINED SURFACES DECIMAL DIM: 0.000 TO 1.000 ± .010 1.001 TO 5.000 ± .015 5.001 TO 10.000 ± .020 10.001 & OVER ± .025	UNMACHINED SURFACES FRACTIONAL ± 1/16 DECIMAL ± .03 ANGULAR ± 1° DO NOT SCALE TOLERANCES UNLESS NOTED.		Antigonish Nova Scotia Phone: 647-393-1212 Fax: 902-867-6211		
	DRAWN CRH CHECKED	2/21/2018		DESCRIPTION KIT, REPLACEMENT T3 40KW SCI8D5		
	MATERIAL N/A PATH G:\Engineering Documents\Inventor Files\80K\80465.dwg	SIZE C	SCALE 1=4	DWG NO 80465	REV 0	SHEET 2 OF 2