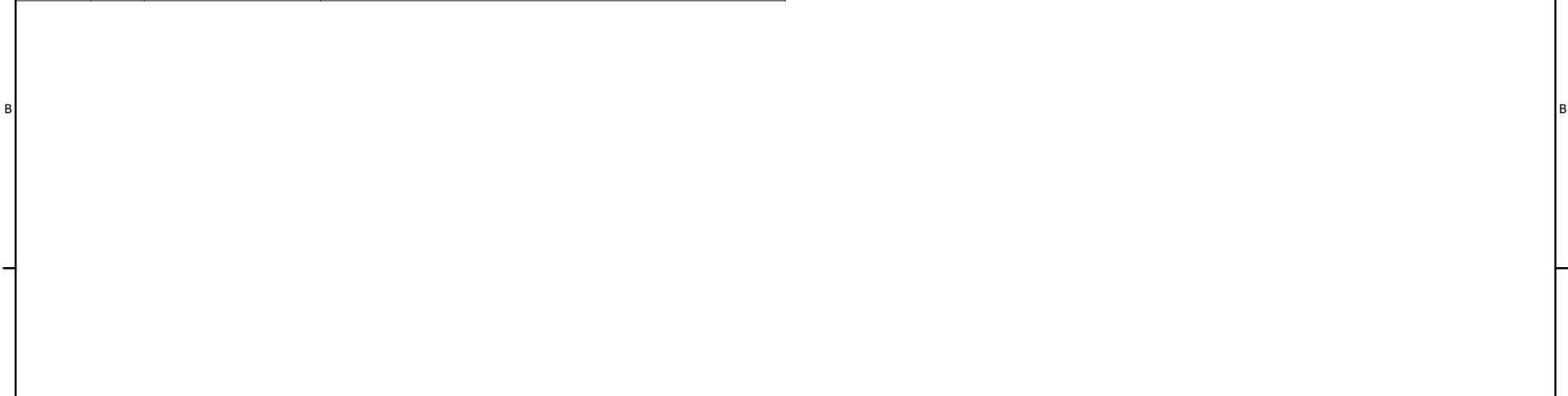



4				3				2				1			
Parts List				Parts List				Parts List				Parts List			
ITEM	QTY	PART NUMBER	DESCRIPTION	ITEM	QTY	PART NUMBER	DESCRIPTION	ITEM	QTY	PART NUMBER	DESCRIPTION	ITEM	QTY	PART NUMBER	DESCRIPTION
1	1	5027	BUSHING, TAPER-LOCK #1108 25MM	26	1	5025	VALVE, SERVICE 1/2 VENTED PORT								
2	1	5029	PULLEY, 2.8 2GR 3V TAPER-LOCK	27	1	960708-050	ELBOW, HYD 1/2 FNPT X MNPT STREET								
3	1	303113	WASHER, SCA8 PULLY	28	1	970802-025	ADAPTER, 1/8 MBSPP X 1/4 FNPT								
4	1	938808-200	WASHER, LOC 8MM	29	1	964804-025	TEE, MR 1/4F X 1/4M X 1/4F								
5	1	928008-250	BOLT, HEX 8MM X 25MM GR8.8	30	1	5039	GAUGE, PRESS - 1/4"NPT 0-200 PSI								
6	1	311003	AIREND, SCI8D5	31	1	970808-050	ADAPTER, 1/2 MBSPP X 1/2 FNPT								
7	1	310850	STEM, OIL/THERM MANIFOLD	32	1	960508-050	ELBOW, HYD 1/2 MNPT X 1/2 MNPT								
8	1	5012	ASSY, MORSE T4F OIL FILTER	33	1	5026	VALVE, MINI BALL 1/2 NPT								
9	1	5013	ASSY, MORSE T4F COALESCER	34	1	902915-020	PLUG, PIPE 1/2 RECESSED ZINC								
10	1	40070	ASSY, STEM COALESCER M27 x 1"	35	1	993504-047	PLUG, PIPE 1/4 WITH ORIFICE 3/64								
11	1	970608-050	ELBOW, HYD 1/2 MBSPP X 1/2 MJIC	36	1	310607	SWITCH, TEMP 230F NC 1/4BSPP								
12	1	970708-050	CONNECTOR, 1/2 MJIC X 1/2 MBSPP	37	1	5022	TRANSDUCER, 200PSI 1/4NPT .5-4.5V 4PIN								
13	1	970802-012	ADAPTER, 1/8 MBSPP X 1/8 FNPT	38	1	970812-075	ADAPTER, 3/4 MBSPP X 3/4 FNPT								
14	1	987304-012	ELBOW, 1/4 PTC X 1/8 MNPT 250 PSI 200 DEG	39	1	301594	DECAL, TEMP. COMPR.- 250 F								
15	1	5033	VALVE, REGULATOR 1/4	40	1	5014	FILTER, AIR INTAKE 52MM								
16	2	960404-025	NIPPLE, HYD HEX 1/4	NS	1	301617	SKID, SHIPPING 29 X 35 1/2								
17	1	987304-025	ELBOW, 1/4 PTC X 1/4 MNPT 250 PSI 200 DEG	NS	3	306952	BOARD, 1 X 6 X 20 PINE								
18	1	5034	VALVE, BLOWDOWN 1/4 NC	NS	2 ft	5035	TUBE, PARAFLEX 1/4 OD X .040 WALL X FT NYLON NATURAL								
19	1	5030	SWITCH, PRESS NC 5LB												
20	1	988808-025	TEE, 1/4 PTC X 1/4 PTC X 1/4 MNPT	NS	1	311242	HOSE ASSY, 1/2 X 106 SXE								
21	1	961904-025	TEE, MB 1/4 F X 1/4 F X 1/4 M	NS	1	311243	HOSE ASSY, 1/2 X 76 SXS								
22	1	907600-005	BUSHING, RED 1/4 X 1/8 GAL	NS	1	5011	LUBRICANT, MORSE SCO 1000 5L								
23	2	974700-012	PLUG, 1/8 BSPP	NS	1	5015	BELT, DOUBLE BANDED 3VX500								
24	1	907603-020	BUSHING, RED 3/4 X 1/2 GAL	NS	1	301615	BOX, SHIPPING 34 1/2 X 20 1/2 X 26								
25	1	960408-050	NIPPLE, HYD HEX 1/2												



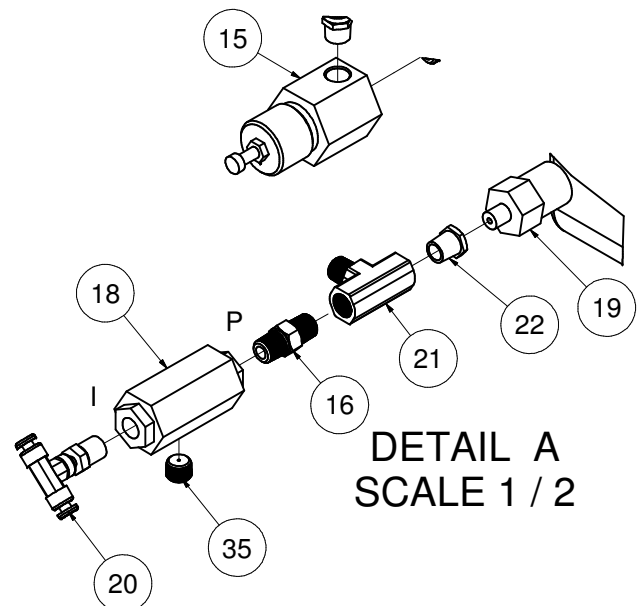
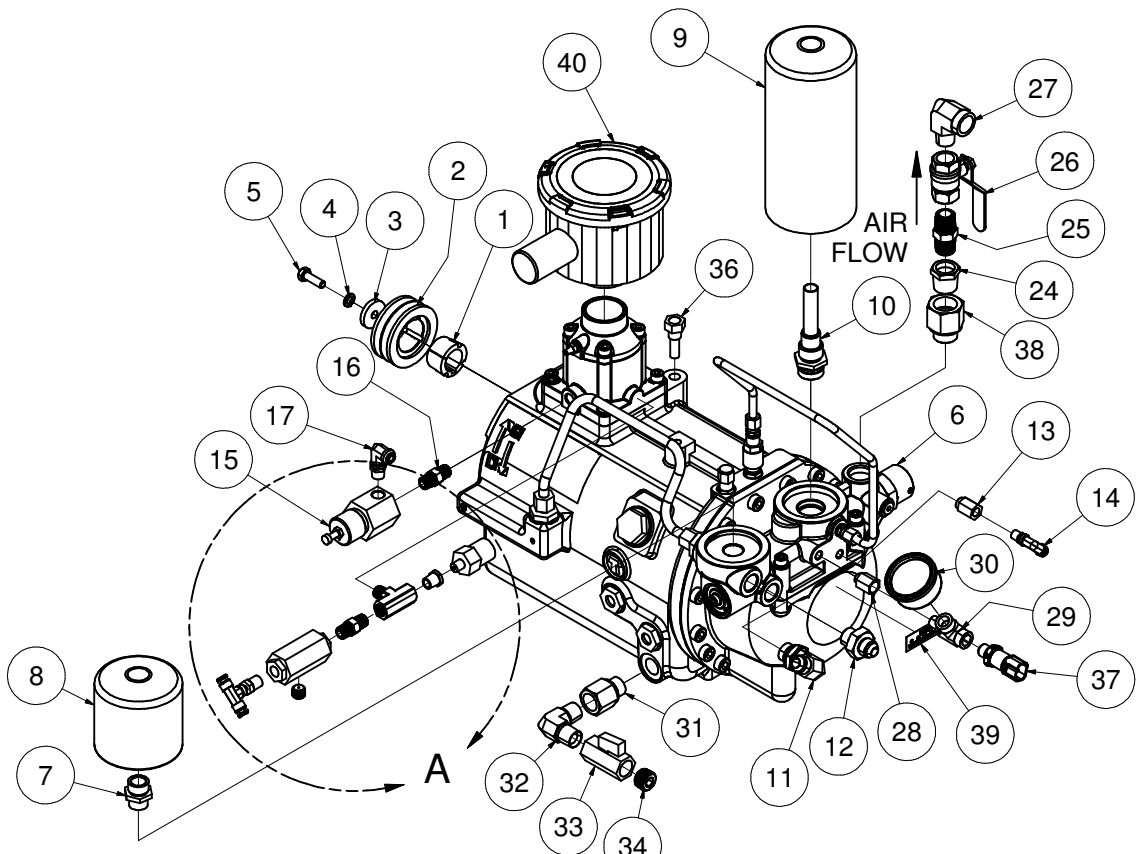
<b>PROPRIETARY INFORMATION</b> THIS DRAWING AND ALL ITS CONTENTS ARE PROPERTY OF MORSE INDUSTRIAL AND MUST NOT BE COPIED OR MADE PUBLIC. IT IS LOANED AND IS SUBJECT TO RETURN UPON DEMAND. THE INFORMATION CONTAINED IN THIS DRAWING IS CONFIDENTIAL AND MUST NOT BE USED, DIRECTLY OR INDIRECTLY, IN ANY WAY DETRIMENTAL TO THE INTEREST OF MORSE INDUSTRIAL.	<b>MACHINED SURFACES</b> DECIMAL DIM: 0.000 TO 1.000 ± .010 1.001 TO 5.000 ± .015 5.001 TO 10.000 ± .020 10.001 & OVER ± .025	<b>UNMACHINED SURFACES</b> FRACTIONAL ± 1/16 DECIMAL ± .03 ANGULAR ± 1° DO NOT SCALE TOLERANCES UNLESS NOTED.	 Antigonish Nova Scotia Phone: 647-393-1212 Fax: 902-867-6211		
	DRAWN CRH 2/26/2018	CHECKED NDD 2/27/2018		DESCRIPTION KIT, REPLACEMENT T4 40KW SCI8D5	
	MATERIAL N/A	SIZE C		SCALE N/A	DWG NO 80467
	PATH G:\Engineering Documents\Inventor Files\80K\80467.dwg	SHEET 1 OF 2		REV 0	

301960-025  
3" LONG

301960-025  
18" LONG

OIL OUT TO  
TOP OF COOLER

OIL IN FROM  
BOTTOM OF COOLER



DETAIL A  
SCALE 1 / 2

**PROPRIETARY INFORMATION**  
THIS DRAWING AND ALL ITS  
CONTENTS ARE PROPERTY  
OF MORSE INDUSTRIAL AND  
MUST NOT BE COPIED OR  
MADE PUBLIC. IT IS LOANED  
AND IS SUBJECT TO RETURN  
UPON DEMAND. THE  
INFORMATION CONTAINED IN  
THIS DRAWING IS  
CONFIDENTIAL AND MUST  
NOT BE USED, DIRECTLY OR  
INDIRECTLY, IN ANY WAY  
DETRIMENTAL TO THE  
INTEREST OF MORSE  
INDUSTRIAL.

MACHINED SURFACES	UNMACHINED SURFACES
NOMINAL DIM	FRACTIONAL ± 1/16
0.000 TO 1.000 ± .010	DECIMAL ± .03
1.001 TO 5.000 ± .015	ANGULAR ± 1°
5.001 TO 10.000 ± .020	DO NOT SCALE
10.001 & OVER ± .025	TOLERANCES UNLESS NOTED.
DRAWN CRH	2/26/2018
CHECKED NDD	2/27/2018
MATERIAL N/A	
PATH G:\Engineering Documents\Inventor Files\80K\80467.dwg	



Antigonish Nova Scotia  
Phone: 647-393-1212  
Fax: 902-867-6211

DESCRIPTION			
KIT, REPLACEMENT T4 40KW SCI8D5			
SIZE	SCALE	DWG NO	REV
C	1=4	80467	0